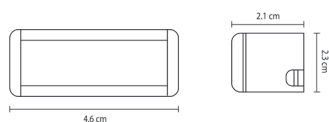




<b>ARTIGO (REFERÊNCIA)</b> <i>Producto   Product</i>	<b>SH-3-350 IP65</b>
<b>SÉRIE</b> <i>Serie   Series</i>	<b>MINI-SH</b>
<b>TIPO</b> <i>Tipo   Type</i>	<b>Transformador</b> <i>Transformador   Transformer</i>
<b>TECNOLOGIA</b> <i>Tecnología   Technology</i>	<b>Corrente constante AC/DC 350mA</b> <i>Corriente constante   Constant current</i>
<b>CÓDIGO DE BARRAS</b> <i>Código de barras   Barcode</i>	--
<b>COR</b> <i>Color   Colour</i>	<b>Branco</b> <i>Blanco   White</i>
<b>MATERIAL</b> <i>Material   Material</i>	<b>Plástico</b> <i>Plástico   Plastic</i>

<b>DIÂMETRO (D.)</b> <i>Diámetro   Diameter</i>	--
<b>ALTURA (A.)</b> <i>Altura   Height</i>	<b>2,1cm</b>
<b>COMPRIMENTO (C.)</b> <i>Longitud   Length</i>	<b>4,7cm</b>
<b>LARGURA (L.)</b> <i>Ancho   Width</i>	<b>2,3cm</b>
<b>PESO</b> <i>Peso   Weight</i>	--



## INFORMAÇÃO GERAL

*Información General | General Information*

<b>Índice de proteção</b> <i>Índice de Protección   Protection Index</i>	IP65 (só para a caixa) <i>solo para la caja   only for driver body</i>
<b>Classe de proteção</b> <i>Clase de protección   Protection class</i>	II
<b>Fator de potência</b> <i>Factor de potencia   Power factor</i>	0,5-0,7
<b>Número de LED</b> <i>Número de LED   LED number</i>	--
<b>Secção de entrada</b> <i>Sección de entrada   Input section</i>	--
<b>Secção de saída</b> <i>Sección de salida   Output section</i>	--

## INFORMAÇÃO TÉCNICA

*Información técnica | Technical information*

<b>Tensão de entrada</b> <i>Voltaje de entrada   Input voltage</i>	100-240VAC
<b>Frequência</b> <i>Frecuencia   Frequency</i>	50/60Hz
<b>Potência</b> <i>Potencia   Power</i>	3W max.3,5W
<b>Corrente de entrada (máx)</b> <i>Corriente de entrada (máx)   Input current (max)</i>	0,1A
<b>Tensão de saída</b> <i>Voltaje de salida   Output voltage</i>	2,5..10Vdc 18Vdc
<b>Corrente de saída</b> <i>Corriente de salida   Output current</i>	350mA
<b>Eficiência (%)</b> <i>Eficiencia   Efficiency</i>	68
<b>Temperatura ambiente (Ta)</b> <i>Temperatura ambiente   Ambient temperature</i>	50°C
<b>Temperatura Invólucro (Tc)</b> <i>Temperatura de la carcasa   Case Temperature</i>	75°C
<b>Isolação</b> <i>Aislamiento   Insulation</i>	SELV

## PROTEÇÕES

*Protecciones | Protections*

<b>Proteção curto circuito (SCP)</b> <i>Protección contra cortocircuitos   Short circuit protection</i>	Sim <i>Sí   Yes</i>
<b>Proteção sobrecarga (OPP)</b> <i>Protección de sobrecarga   Overload protection</i>	Sim <i>Sí   Yes</i>
<b>Proteção sobreaquecimento (OTP)</b> <i>Protección contra sobrettemperatura   Over temperature protection</i>	--
<b>Proteção sobretensões (OVP)</b> <i>Protección contra sobretensiones   Overvoltage protection</i>	Sim <i>Sí   Yes</i>
<b>Proteção de sobrecarga (L-N)</b> <i>Protección de sobrecarga   Surge protection</i>	--
<b>Tremulação</b> <i>Parpadeo   Flicker</i>	Sim <i>Sí   Yes</i>
<b>Potência sem carga</b> <i>Energía sin carga   No-load power</i>	<0,5W
<b>Função regulação</b> <i>Función de regulación   Dimming function</i>	--

## 3W LED Driver Constant Current

SH-3-XXX IP65 SB

■ Approve  
**SELV** **CE**

### ■ Features

- Class II, SELV, built-in
- Input Voltage 100-240VAC
- Protections: SCP/OLP/OVP
- Power Factor 0.50-0.70
- IP65 Ingress protection
- Efficiency  $\geq 68\%$
- 5 years warranty

### ■ Applications

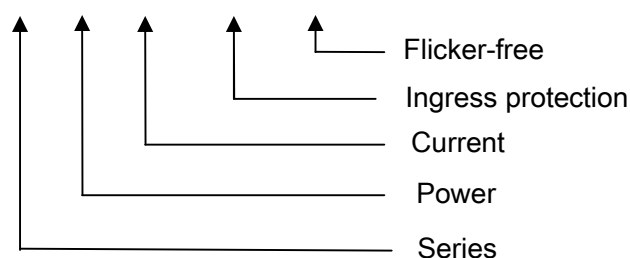
- LED strips
- Spot light
- Wall light

### ■ Description

SH-3-XXX IP65 SB is a 3W constant current LED driver that operates from 90-264Vac input with 300 to 700mA output voltage. With its compact dimensions from 47 x 23 x 21mm it is easy to integrate in LED strips, spot and wall light products. To ensure trouble-free operation, protection is provided against output short circuit and over Load.

### ■ Model code

SH-3-XXX IP65 SB



## 3W LED Driver Constant Current

SH-3-XXX IP65 SB

### ■ Specification

Input	Rated input voltage	100-240VAC			
	Range of input voltage	90-264VAC			
	Frequency(Hz)	50/60 Hz			
	Power Factor	0.50-0.70@100-240VAC, full load			
	Input Current max	0.1A MAX @Full Load,90VAC			
	Start-up time	<0.5S			
	Unload Power Consumption	≤0.5W			
	Inrush Current	20A MAX. /110μs @230V, Full Load , 50%Ipk-50%Ipk			
	Leakage Current	< 0.7mA(240VAC)			
Output	Constant Current *Note.3	300mA	350mA	500mA	700mA
	Unload voltage Max.	20VDC	18VDC	15VDC	10VDC
	Voltage Range(VDC)	2.5-12VDC	2.5-10VDC	2.5-7VDC	2.5-4.5VDC
	Rated load	3.6W Max.	3.5W Max.	3.5W Max.	3W Max.
	Current Accuracy	± 5% @100-240VAC			
	Voltage Regulation	± 5% @Full Load , 100-240VAC			
	Load Regulation	± 5%@100-240VAC			
	Hold-up Time	1s max. Full Load			
	Ripple& Noise *Note.2	< ±5% @Full Load , 230Vac			
	Efficiency(Typ.)	≥68%			
Protection	Over Load Protection	103-150% Protection type: Auto Resume			
	Over Voltage Protection	>20VDC	>18VDC	>15VDC	>10VDC
	Short circuit Protection	Protection type: Auto Resume			
Environment	Operating Temperature	-20°C...+50°C			
	tc	75°C			
	Storage Temperature	-20°C...+60°C			
	Humidity	10%-90%RH			
	Life time	> 30,000h @50°C			
Others	Dimension	47X23X21(LXWXH)mm			
Safety & EMC	Safety standards	EN 61347-1; EN61347-2-13 ; EN62384			
	Withstand voltage	Input-Output : 3750V/5mA/1min			
	Isolation resistance	Input-Output : ≥4MΩ@500VDC			
	EMI	EN55015 Class II; EN61000-3-2 Class A; EN61000-3-3			
	EMS	EN 61547;EN 61000-4-2 — Performance Criteria B; EN 61000-4-5 —500V; Performance Criteria C			
Note	1.All parameters NOT specially mentioned are measured at 230VAC input , full load and 25°C of ambient temperature. 2.Ripple & Noise are measured at 20MHz of bandwidth by using a 300mm twisted pair-wire terminated with a 0.1uF & 47 uF parallel capacitor. 3.Output current can be from 300mA to 700mA . Please see Model list below and contact EAGLERISE for details.				

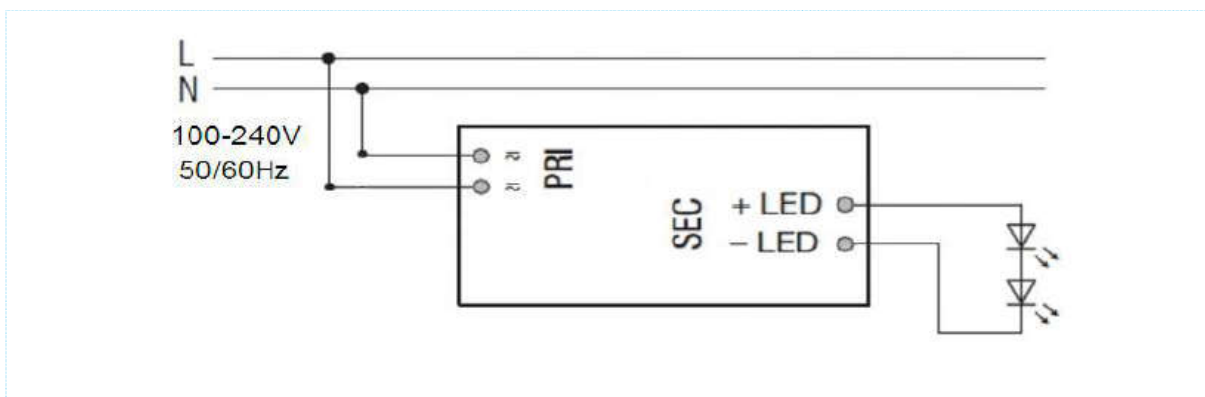
## 3W LED Driver Constant Current

SH-3-XXX IP65 SB

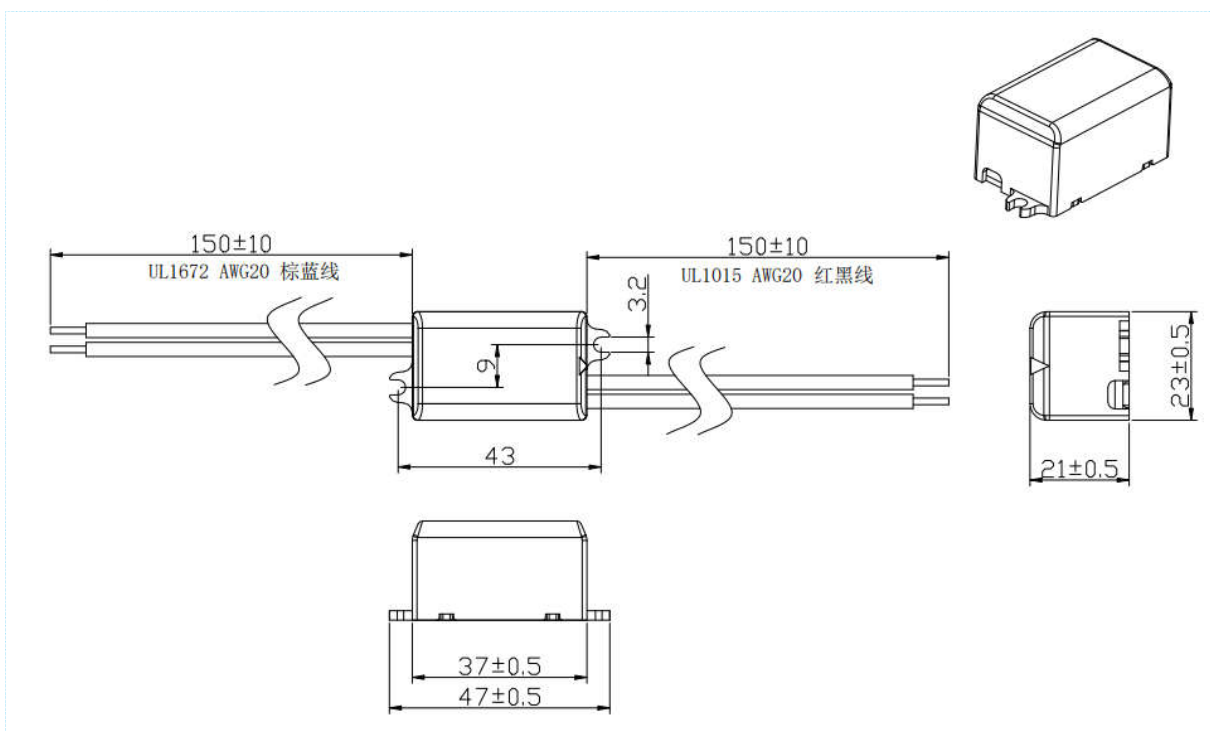
### Model list

Model number	Input			Output			
	Voltage (VAC)	Max.Current (A)	Frequency (Hz)	Constant current (mA)	Normal working voltage (VDC)	No load working voltage (VDC)	Max. Power(W)
SH-3-300 IP65 SB	100-240	0.1	50/60	300	2.5-12	20	3.6
SH-3-350 IP65 SB				350	2.5-10	18	3.5
SH-3-500 IP65 SB				500	2.5-7	15	3.5
SH-3-700 IP65 SB				700	2.5-4.5	10	3

### Wiring diagram



### 2D diagram

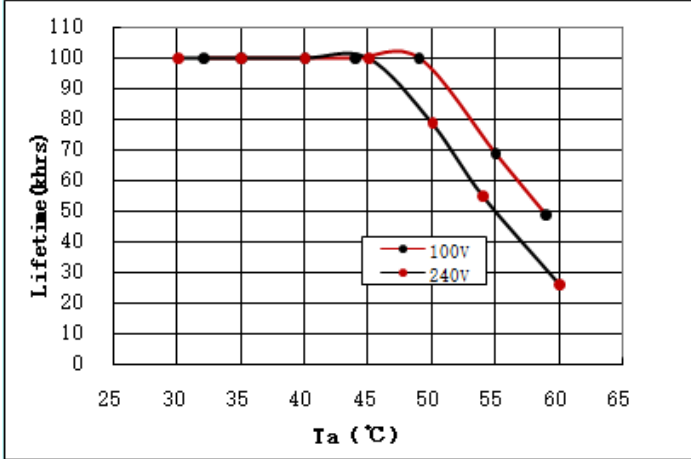


### 3W LED Driver Constant Current

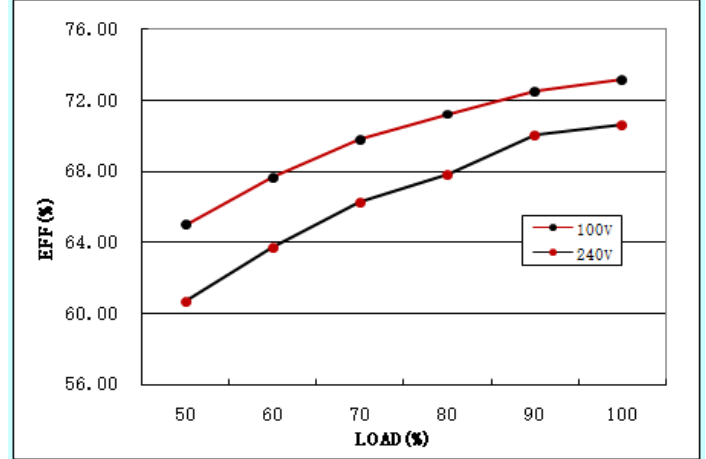
SH-3-XXX IP65 SB

#### Curve@SH-3-700 IP65 SB

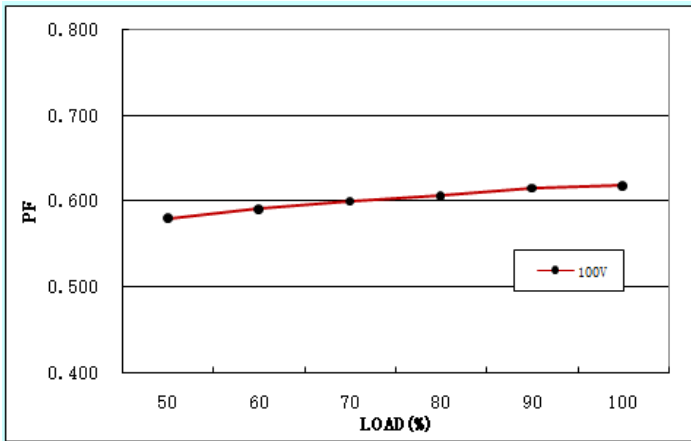
Lifetime vs. Ambient Temperature Curve



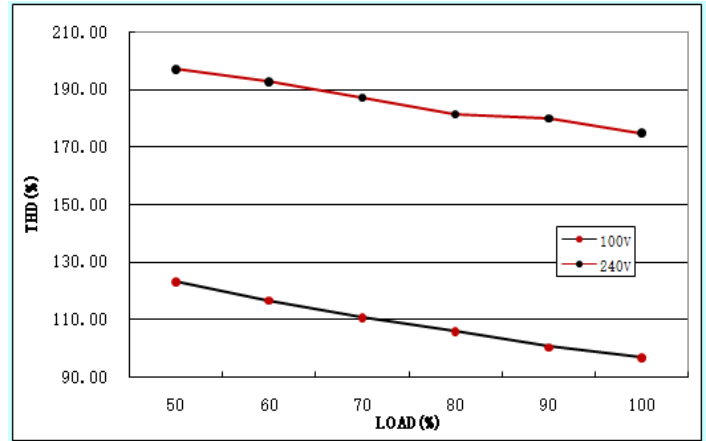
Efficiency vs. Load



Power Factor Characteristics



THD vs. Load



#### Operating window

